

ASSEMBLY REF. No.1

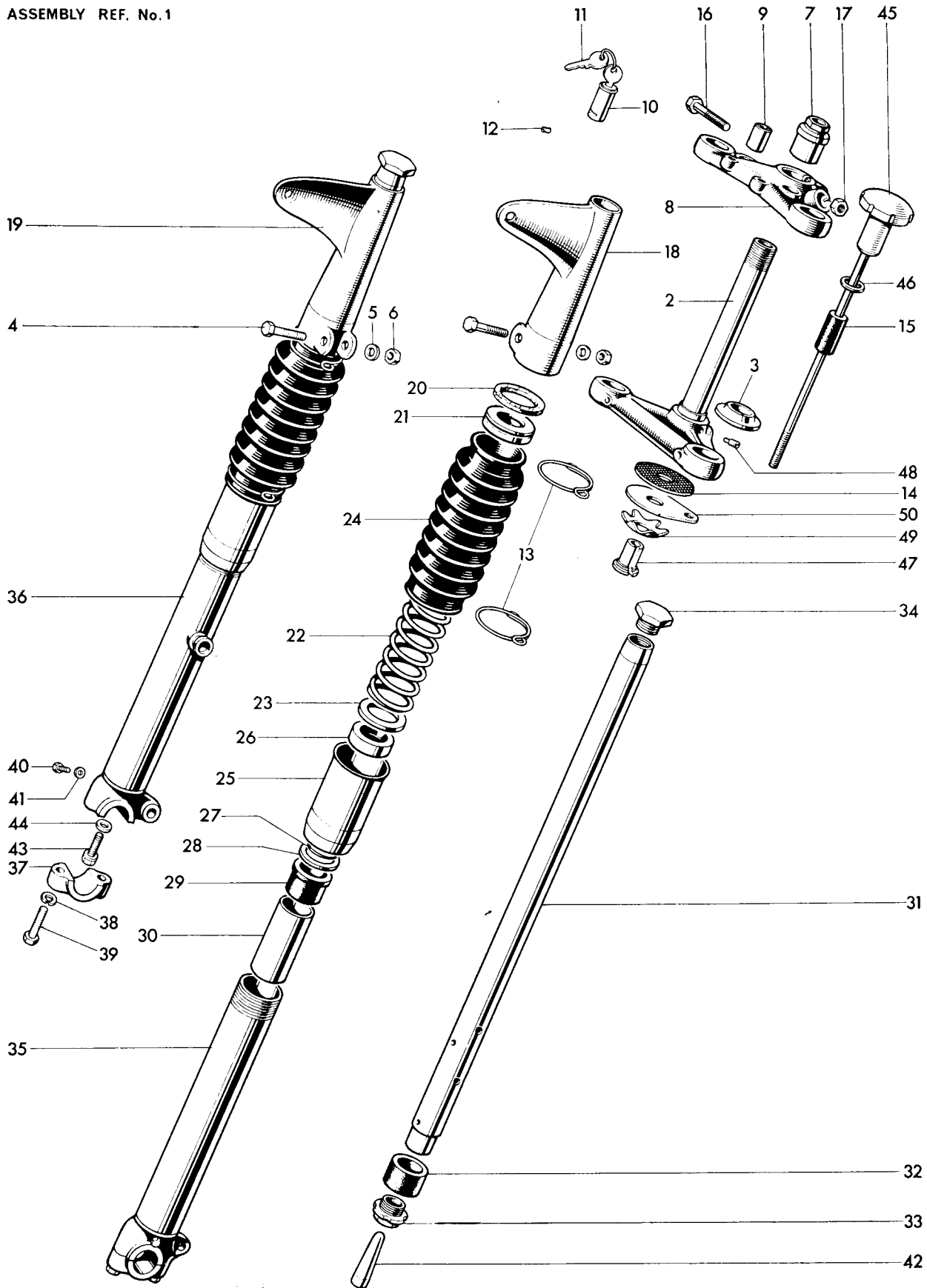


Fig. 17. TELESCOPIC FRONT FORK

| Ref. No.                     | Part No. | DESCRIPTION                               | QUANTITY | REMARKS         |
|------------------------------|----------|---|----------|-----------------|
| <b>TELESCOPIC FRONT FORK</b> |          |   |          |                 |
| 1                            | H2111    | FORK ASSEMBLY ... ..                      | 1        | TR6, TR6R, T120 |
| 1                            | H2113    | FORK ASSEMBLY ... ..                      | 1        | T120R           |
| 2                            | H2109    | Middle lug and stem ... ..                | 1        | TR6, TR6R, T120 |
| 2                            | H2110    | Middle lug and stem ... ..                | 1        | T120R           |
| 3                            | H439     | Bottom cone ... ..                        | 1        |                 |
| 4                            | H941     | Pinch bolt (2¼ in. U.H.) ... ..           | 2        |                 |
| 5                            | S25-2    | Plain washer ... ..                       | 2        |                 |
| 6                            | E2412    | Nut ... ..                                | 2        |                 |
| 7                            | H2108    | Fork stem sleeve nut ... ..               | 1        |                 |
| 8                            | H2100    | TOP LUG ASSEMBLY ... ..                   | 2        |                 |
| 9                            | H1527    | Bonded bush ... ..                        | 2        |                 |
| 10                           | F6738    | Lock c/w 2 keys ... ..                    | 1        |                 |
| 11                           | —        | Key (state serial number) ... ..          | 1        |                 |
| 12                           | S578     | Grub screw ... ..                         | 1        |                 |
| 13                           | H2083    | Gaiter clip ... ..                        | 4        |                 |
| 14                           | H435     | Friction disc ... ..                      | 1        |                 |
| 15                           | H1618    | Rubber sleeve ... ..                      | 1        |                 |
| 16                           | F1760    | Pinch bolt (1½ in. U.H.) ... ..           | 1        |                 |
| 17                           | H379     | Seated nut ... ..                         | 1        |                 |
| 18                           | H1888    | Left top cover ... ..                     | 1        |                 |
| 19                           | H1887    | Right top cover ... ..                    | 1        |                 |
| 20                           | F4047    | Cork washer ... ..                        | 2        |                 |
| 21                           | H1657    | Spring abutment ... ..                    | 2        |                 |
| 22                           | H1891    | Solo main spring (Yellow/Blue) ... ..     | 2        |                 |
| 22                           | H1892    | Sidecar main spring (Yellow/Green) ... .. | 2        |                 |
| 23                           | H1656    | Plain washer ... ..                       | 2        |                 |
| 24                           | H1645    | Telescopic gaiter ... ..                  | 2        |                 |
| 25                           | H1654    | DUST EXCLUDER SLEEVE NUT ... ..           | 2        |                 |
| 26                           | H1500    | Oil seal ... ..                           | 2        |                 |
| 27                           | H2119    | "O" ring ... ..                           | 2        |                 |
| 28                           | H431     | Plain washer ... ..                       | 2        |                 |
| 29                           | H441     | Top bearing ... ..                        | 2        |                 |
| 30                           | H1896    | Damping sleeve ... ..                     | 2        |                 |
| 31                           | H1889    | STANCHION c/w BEARING ... ..              | 2        |                 |
| 32                           | H443     | Lower bearing ... ..                      | 2        |                 |
| 33                           | H1058    | Bearing nut ... ..                        | 2        |                 |
| 34                           | H1658    | Cap nut ... ..                            | 2        |                 |
| 35                           | H1842    | LEFT BOTTOM MEMBER c/w CAP ... ..         | 1        |                 |
| 36                           | H1843    | RIGHT BOTTOM MEMBER c/w CAP ... ..        | 1        |                 |
| 37                           | H1844    | Spindle cap ... ..                        | 2        |                 |
| 38                           | S26-3    | Spring washer ... ..                      | 4        |                 |
| 39                           | H1070    | Cap bolt (1⅞ in. U.H.) ... ..             | 4        |                 |
| 40                           | H1071    | Drain plug ... ..                         | 2        |                 |
| 41                           | H430     | Fibre washer ... ..                       | 2        |                 |
| 42                           | H1499    | Restrictor ... ..                         | 2        |                 |
| 43                           | H1063    | Flanged bolt (2⅜ in. U.H.) ... ..         | 2        |                 |
| 44                           | H1062    | Aluminium washer ... ..                   | 2        |                 |
| 45                           | H1142    | Steering damper rod c/w knob ... ..       | 1        |                 |
| 46                           | H565     | Plain washer ... ..                       | 1        |                 |
| 47                           | H408     | Adjuster sleeve ... ..                    | 1        |                 |
| 48                           | H2107    | Locating pin ... ..                       | 1        |                 |
| 49                           | H95      | Spring plate ... ..                       | 1        |                 |
| 50                           | H1797    | Anchor plate ... ..                       | 1        |                 |